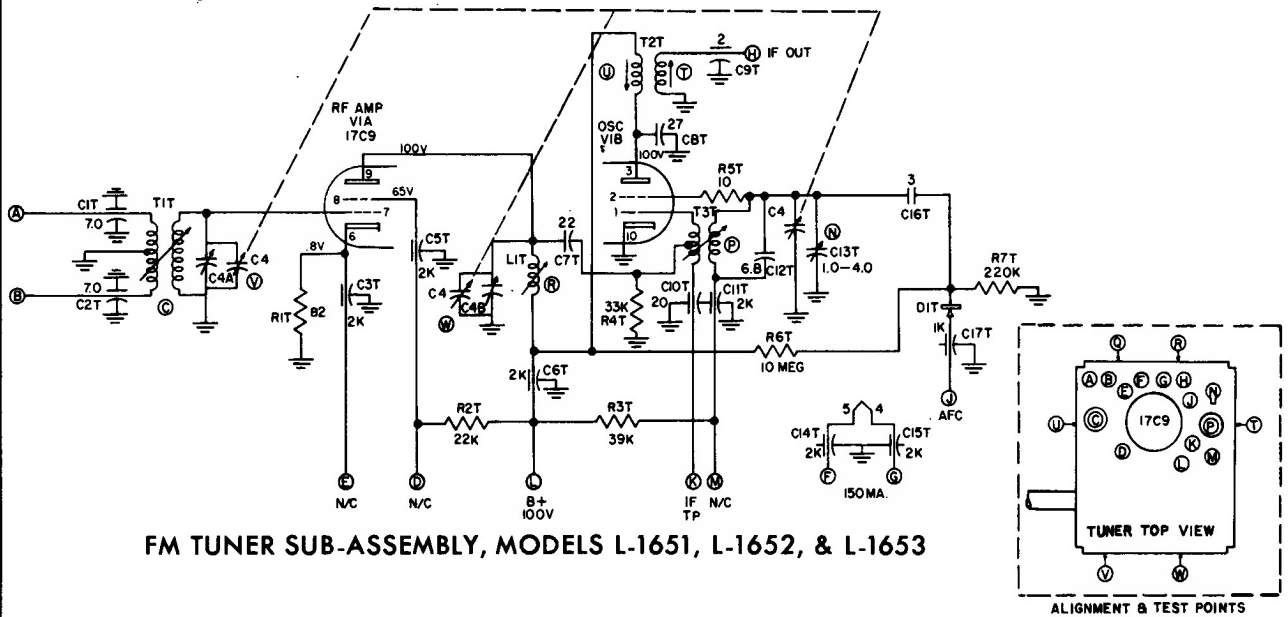


PHILCO

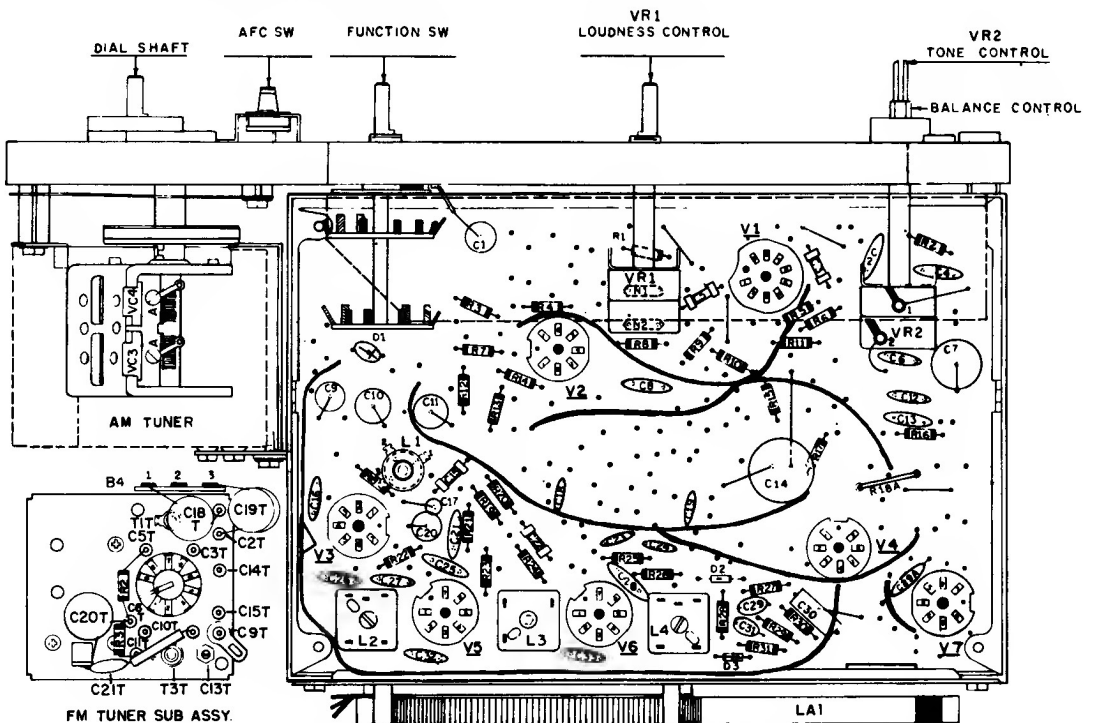
MODELS L-1651, L-1652, & L-1653



FM TUNER SUB-ASSEMBLY, MODELS L-1651, L-1652, & L-1653

**FM TUNER SUB-ASSY. REMOVAL -  
MODELS L-1651, L-1652 & L-1653**

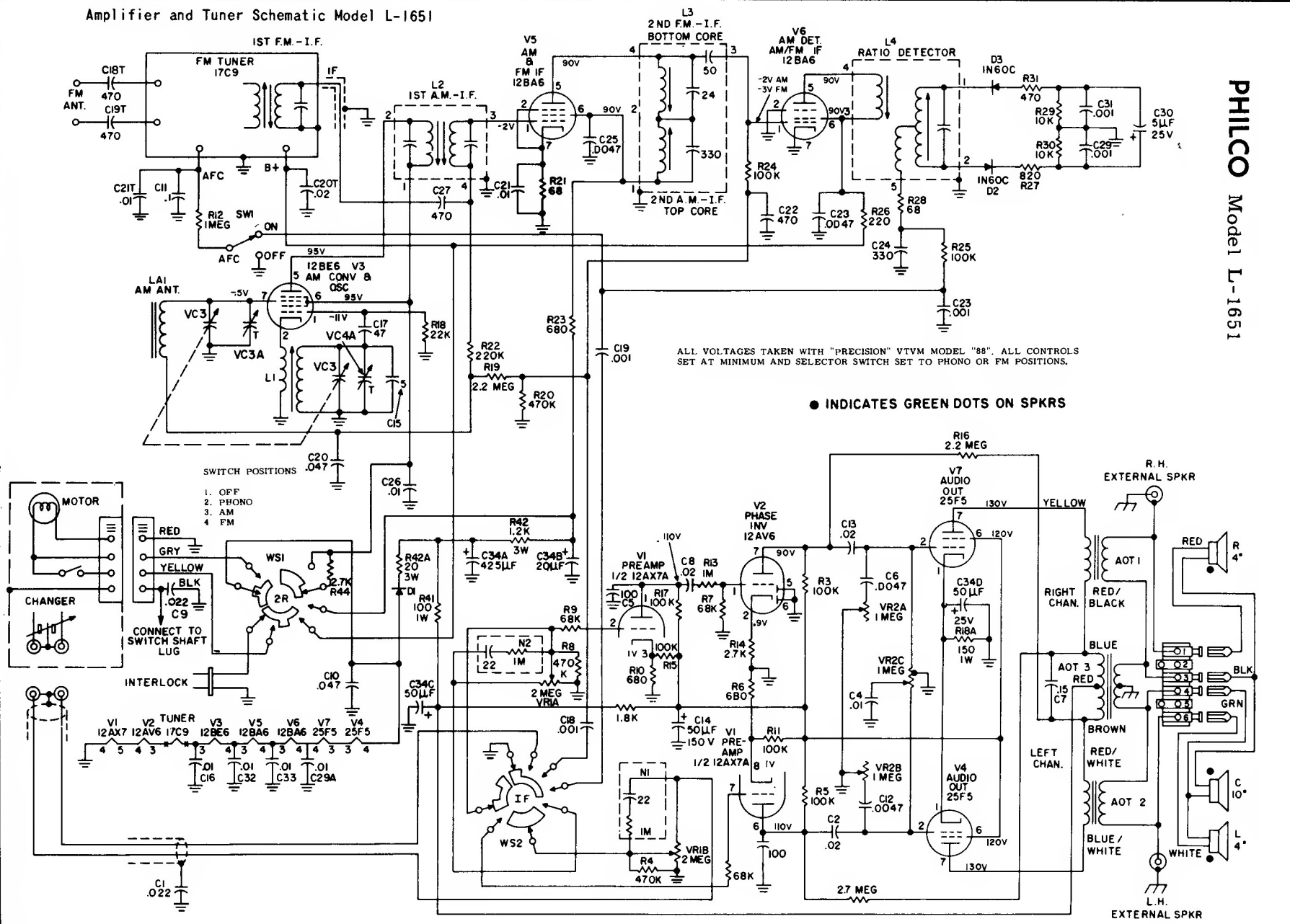
1. Remove 8 screws holding front faceplate to chassis.
2. Remove faceplate and large pulley connected to AM tuning gang. DO NOT REMOVE dial cord.
3. Remove connecting cord from FM and AM tuning gang pulleys only.
4. Unsolder 6 wires that connect tuner to chassis.
5. Remove 4 sheet metal screws holding front and back of tuner in chassis.
6. Remove tuner by forcing from chassis.





# Amplifier and Tuner Schematic Model L-1651

PHILCO Model L-1651



ALL VOLTAGES TAKEN WITH "PRECISION" VTVM MODEL "88". ALL CONTROLS SET AT MINIMUM AND SELECTOR SWITCH SET TO PHONO OR FM POSITIONS.

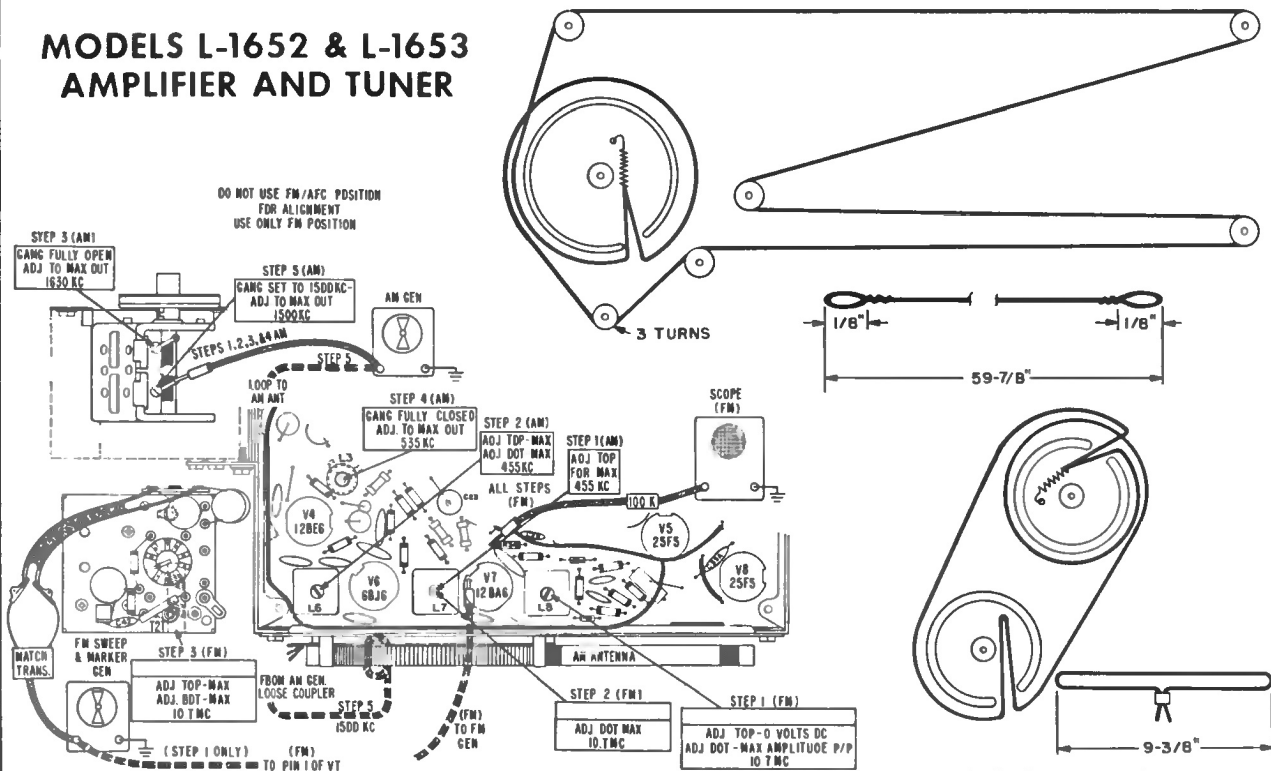
● INDICATES GREEN DOTS ON SPKRS

- SWITCH POSITIONS
1. OFF
  2. PHONO
  3. AM
  4. FM

L.H. EXTERNAL SPKR

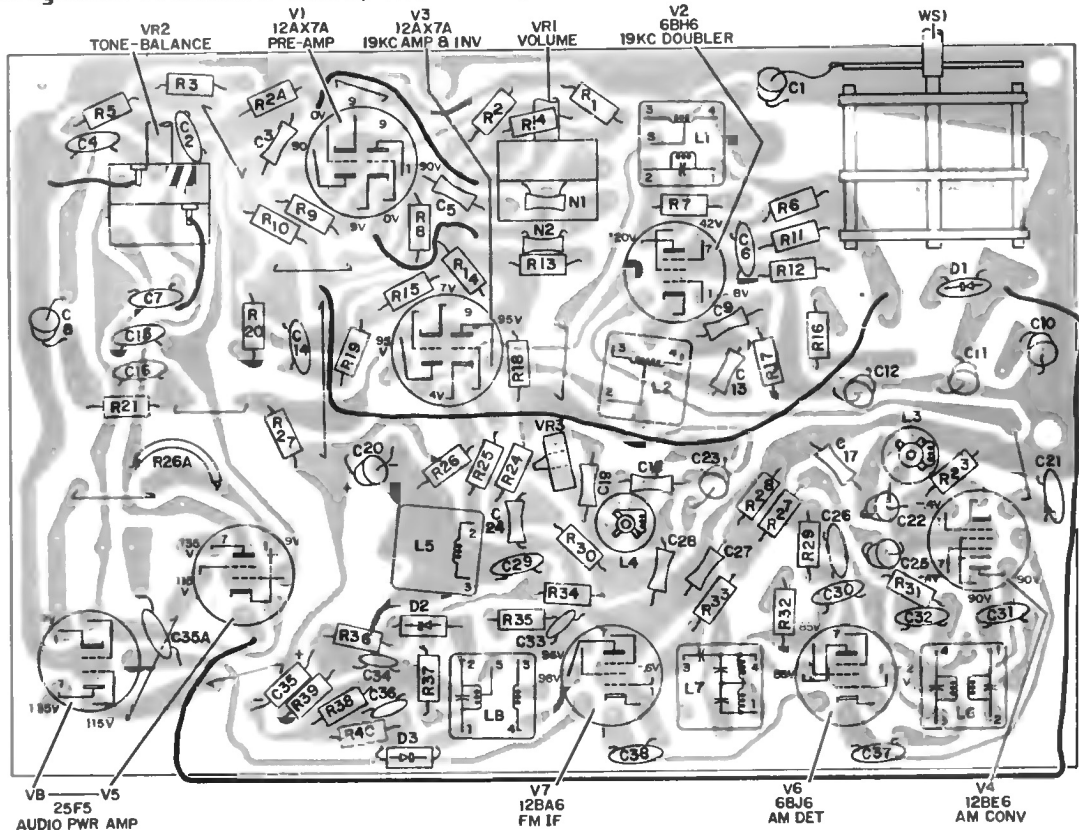
# PHILCO

## MODELS L-1652 & L-1653 AMPLIFIER AND TUNER



Alignment Procedure Chart, Models L-1652 & L-1653

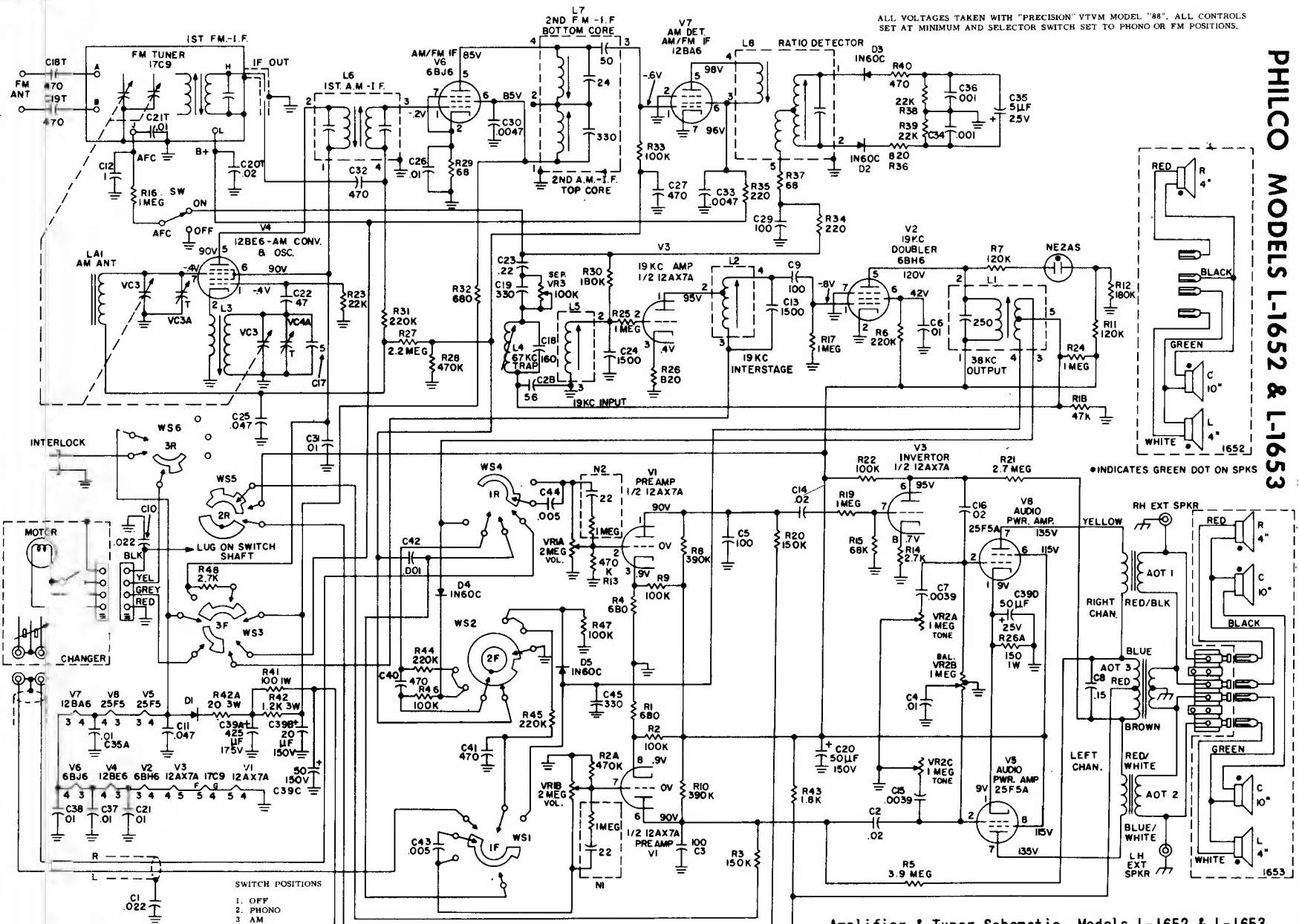
Dial Cord Stringing



Bottom Perma-Circuit View Parts Location, Models L-1652 & L-1653

# PHILCO MODELS L-1652 & L-1653

ALL VOLTAGES TAKEN WITH "PRECISION" VTVM MODEL "88". ALL CONTROLS SET AT MINIMUM AND SELECTOR SWITCH SET TO PHONO OR FM POSITIONS.



- SWITCH POSITIONS
1. OFF
  2. PHONO
  3. AM
  4. FM
  5. FM STEREO

\*INDICATES GREEN DOT ON SPKS

Amplifier & Tuner Schematic, Models L-1652 & L-1653